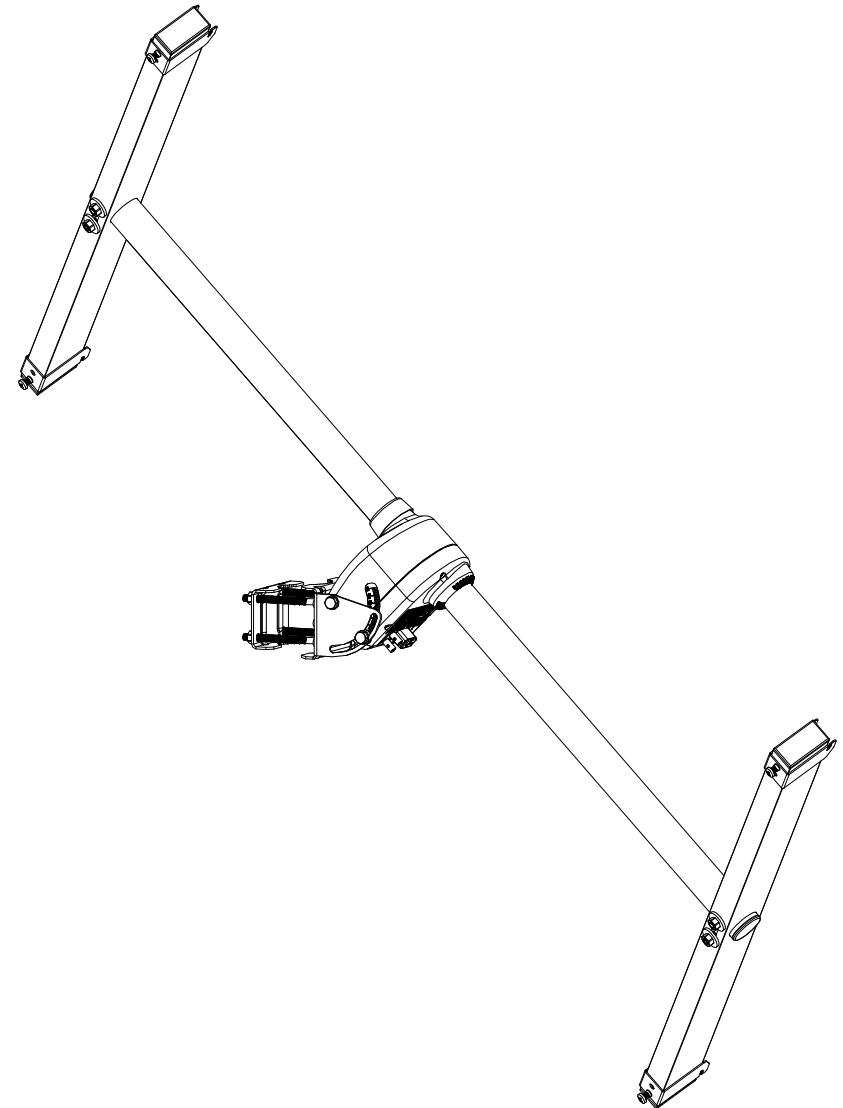


Sun tracker - SunTracer OG+

With time-derived astronomical positioning for the automatic sun-tracking of the solar panel

INSTRUCTIONS FOR INSTALLATION AND USE



O) TROUBLESHOOTING

- If errors occur during operation, try to correct them yourself first. The table below with the most common errors in handling and solutions will help you.

• State	• Possible cause
• Nothing is working	<ul style="list-style-type: none"> incorrect cable connection insufficient voltage from the power supply solar motor error motor shaft blocked
• Motor is turning too slowly	<ul style="list-style-type: none"> incorrect cell fitting too large load – too big – too heavy solar cell
• Motor is following the sun with a delay	<ul style="list-style-type: none"> wrong clock setting (repeat the procedure of clock synchronization)
• Motor is not moving symmetrically to both extreme positions	<ul style="list-style-type: none"> internal counters are not synchronized. Synchronization is automatically performed once a week. You can do it manually by the following procedure. Press any key (E or W) and turn off the battery and the solar cell while the motor is moving. when reconnected to the battery or the solar cell, the motor will synchronize its initial position. After the synchronization repeat the setting of the current time.

Dear Customer

If you have not managed to make the system work or you are having problems with the installation or you just have a message for us, you can contact us via:

- Skype or Windows Live Messenger web support on our <skype:satcontrol.live.support?chat> or <msnim:chat?contact=satcontrol@live.com> or look in our web site website <http://www.solar-motors.com/>,
- call the technical assistance number printed on the first or last page, +386-4-281-62-15, or write to support@solar-motors.com, where we will advise you about further steps.

If you have successfully set the system and you are satisfied, we congratulate you!

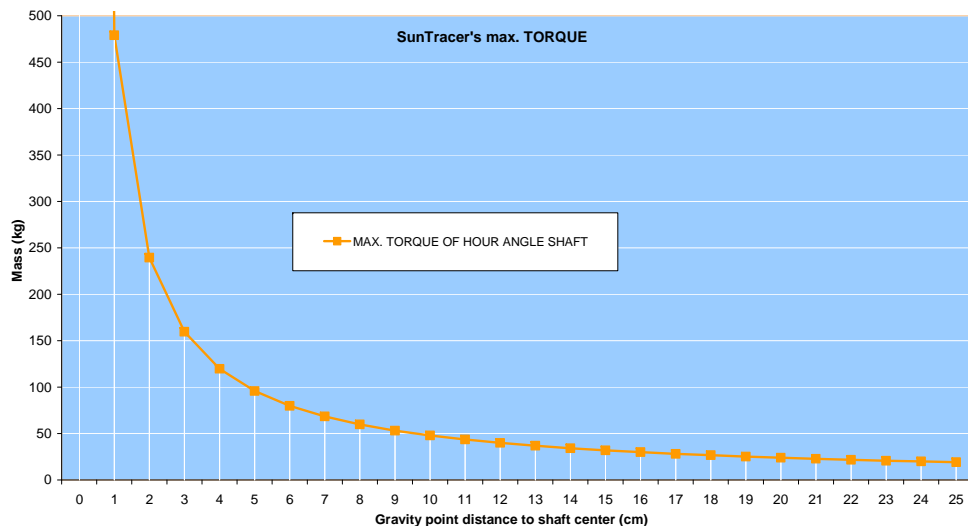
Your manufacturer Sat Control Ltd

• CHARACTERISTICS OF THE SOLAR MOTOR SunTracer OG+

- New-generation, professional motor with integrated astronomical time positioning, and structural background for the automated sun-tracing of the solar cell
- Robust aluminum housing with a strong symmetric metal shaft
- Polar-mount construction for an ideal single-shaft tracing of the solar circle
- Motor turning up to 100°, which means almost 7 hours of perpendicular tracing of the sun
- For solar cells up to 2m², and/or up to 200Wp (depending on the model)
- Low energy consumption for its operation
- Integrated USB communication interface for the control and setting of the parameters, program upgrade and external computer control
- Simple synchronization with the solar time
- Back-up battery for internal clock and date
- Practical in tropical and desert conditions
- Made in Slovenia (EU)

• Technical data:

- Horizontal turning 98° typically (100° max.)
- Inclination (motor elevation) 75°
- Accuracy of tracing <0.5°
- Shaft diameter Ø40 mm (steel)
- Final stage of cogwheel steel worm wheel
- Turning speed 0.5°/s ±25% @ 24V at no load
- Power supply from 12 to 24VDC, (for 12V and 24V systems)
- Absolute max. power supply voltage 30VDC
- Power consumption in idle state 20mA ±25%
- Max consumption during operation 500mA @ 65Nm
- Operating temperature -25°C to +70°C
- Operating humidity 0% to 100% of relative humidity
- Connection 2 cables with an internal Cu conductor of 1.0mm²
- EAST-WEST limit end switches, programmable limit
- Turning time interval adjustable, min 1 minute
- Maximum working torque of output shaft 65Nm @24V & @0.15°/s and 500mA(measured)
- Destructive torque of output shaft >200 Nm
- Estimated service life 5.000 turns of 200° (100°E + 100°W), or 10 years
- Arm width: 1m
- Motor shaft length: 1,150mm
- Max dimen. of a solar cell: 2m x 1m of alum. structure, made for panels with up to 2.0m² in area
- Max. solar cell weight: 25kg, on condition that the solar cell is turning through the centre of gravity
- Dimensions of a packed motor: 1175 (L) x 135 (W) x 200 (H) mm
- Product weight: 8,5kg
- Max. safe wind speed: <130km/h (tested up to 180km/h and all ok)



Applications

- Individual power-supply systems for huts, houses or cottages.
- Smaller solar power plants on building roofs.
- Bigger solar power plants set up on larger areas.

A) PACKAGE CONTENTS AND NECESSARY TOOLS

The SunTracer OG+ solar motor package consists of: (component parts are shown in the following figure).

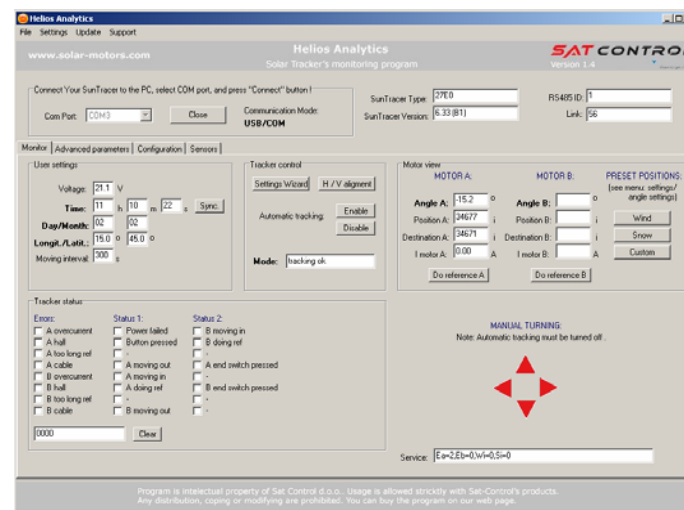
- | | |
|------------------------------------|---|
| 1. Holder clamp / (1 piece) | 9. U-bolt M8 / (2 pieces) |
| 2. Clamp screw / (2 pieces) | 10. Holder arm / (2 pieces) |
| 3. Fixing clamp / (1 piece) | 11. Washer M8 – wide / (4 pieces) |
| 4. Washer M8 / (4 pieces) | 12. Nut M8 / (4 pieces) |
| 5. Nut M8 / (4 pieces) | 13. Clamp, solar / (4 pieces) |
| 6. SunTracer OG+ motor / (1 piece) | 14. Screw M6x12 / (4 pieces) |
| 7. Washer M8 / (4 pieces) | 15. USB communication cable with RJ9 con. |
| 8. Screw M8 / (4 pieces) | 16. Instructions for installation and use |

saved time is not the same as the actual time on your watch. This is especially obvious if your country uses winter and summer time, where the summer time is moved an hour forward.

- You can set the proper solar time also with **Helios Analytics PC program**.

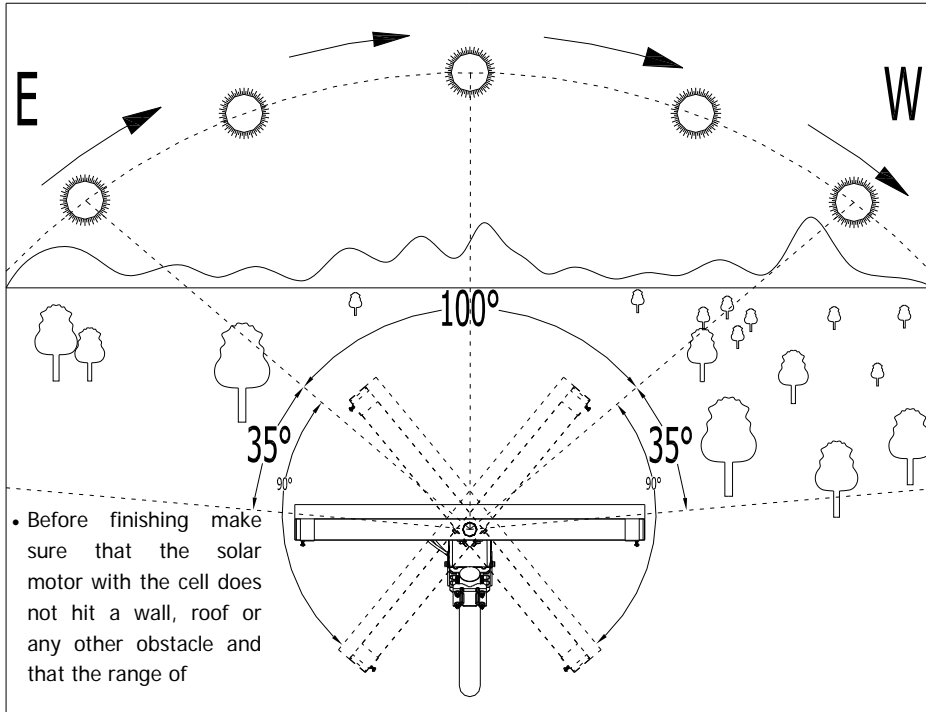
N) HELIOS ANALYTICS – additional functions by connecting to a PC

The basic solar tracking operation is not conditioned by the use of a PC. But it provides additional functions that can be useful for advanced users. In addition, different values and parameters of the solar tracker can be seen/changed in this menu. Download Helios Analytics from the next web page <http://www.solar-motors.com/gb/monitoring-programs-d489.shtml> , tab Monitoring programs. Download package includes the program, all necessary USB driver files and all user manuals.



- There are two possible ways to connect: via USB or via RS485. **Default is USB**. For RS485, see additional paper on <http://www.solar-motors.com/gb/monitoring-programs-d489.shtml>
- **Upgrading**. Driving electronic (firmware) in the solar tracker is upgradable. It means that we constantly complements and improves the program, which is running in your product. Check on our web site <http://www.solar-motors.com/gb/support-d24.shtml> or the latest version, tab »**support**«. See Helios Analytics user manual how to proceed upgrading.

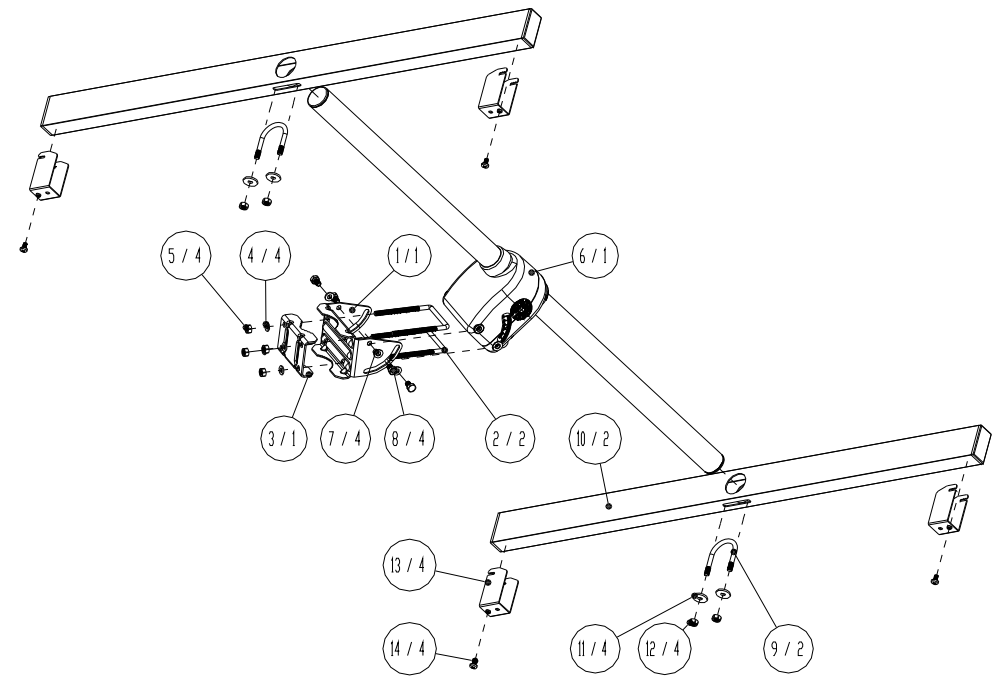
- Motor during operation.



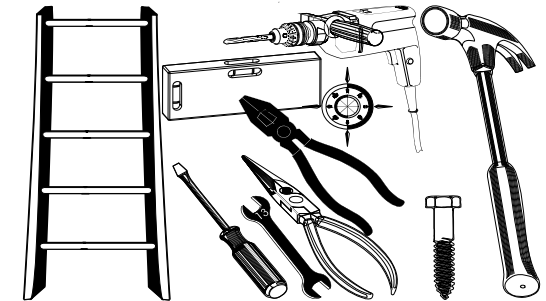
- When connected the motor started turning to the extreme East, to the initial position. With the WEST and EAST keys you turn the motor to the West and East. When you set the panel perpendicularly to the sun, press both keys at the same time and hold them for at least 5 seconds. From that time on the motor will automatically follow the sun. There is a detailed description in the following section.
- Now you have performed the mechanical and the electrical part of the installation. You can proceed to the synchronization to the solar time for your location. There is a detailed description in the next step.
- By doing so you have finished the installation.

M) SYNCHRONIZATION TO THE SOLAR TIME

- The solar motor will follow the sun correctly if the internal clock of the motor is synchronized with the mean solar time. This can be done in a simple way. Between 9 o'clock in the morning and 15 o'clock in the afternoon (of the solar time) by pressing appropriate integrated keys on the motor. Turn the motor shaft electrically (press the appropriate E / W key) so that the solar cell is as perpendicular to the sun as possible. For this you can use a rectangle which you place perpendicularly on the cell and look for the smallest shade made by the perpendicular side. When you have found and/or reached the best perpendicularity of the fall of the sun rays, press and hold both keys at the same time for 5 seconds. After 5 seconds the green LED indicator will light up for a short time and in this way warn you that the solar time is saved. From then on the motor will follow the sun correctly, since its internal clock is set to your mean solar time.
- **Note!** The mean solar time used by the motor is set for your geographical latitude, and may differ from your zone time. Therefore, do not worry if you have saved the solar time in the motor at a really ideal perpendicularity of the cell to the sun, while you see in the menu of the motor on the computer that the



- To fit the SunTracer OG+ motor and the solar cell to an already set pole you need:
- Measuring tape
- Fork wrench, size 13 mm
- Flat and a cross screwdriver, size #2
- Socket wrench, 1.5 mm
- For cable preparation: knife and clips
- Bubble level
- A compass for determining the south, a voltmeter, an ammeter, a hammer, and a drilling machine



Attention: The package does not contain electrical connection cables or connectors, a ground screw or any other tube or holder, and a solar cell. These are mentioned here just to provide a full description of the fitting. * - They are only enclosed in the package in exceptional cases, since they are enclosed to the solar cell.

B) DESCRIPTION

- You have in front of you a small, but efficient SunTracer OG+ motor for turning the solar cell. This is a device that turns the solar cell always perpendicularly to the fall of the sun rays and in this way enables the highest whole-day utilization of the solar cell. The solar cell gives the highest output power if it is turned as perpendicularly as possible to the source of radiation – the sun. Any other illumination angle of the rays reduces the output power of electricity that can be obtained from the cell. Therefore, it is sensible to use a sun-tracing system and in this way obtain up to 61% more electricity on a sunny day than you would otherwise. Electricity consumption of the motor itself for the turning is negligible compared to the profit.

- Control is fully automated. According to the internal clock, the motor corrects its position at adjustable time intervals and in this way traces the sun. The area of motor motion is about 100 degrees, therefore the motor starts tracing the sun at 8:40 solar hours and stops at 15.30 solar hours. Outside this time the motor is at a standstill, except at 23 hours, when it turns to its initial position and in this way waits for the sun in the East.
- With precise fitting you can achieve that the motor ensures the perpendicular tracing of the sun by the solar cell throughout 100 degrees.
- In normal, average conditions the motor works with any solar cell up to 0.6m² and/or 2m², depending on the model. The solar cell should not be too heavy, exposed to hurricanes or large quantities of wet snow. In addition to the weight, when choosing a larger solar cell you have to be especially careful that fixing to the motor shaft is done as close as possible to the solar cell surface and you have to ensure that the solar cell is fitted as close as possible to the centre of gravity. If all of these conditions are fulfilled, the motor will work flawlessly even with a solar cell with the largest possible surface, as indicated in the instructions for a particular model.
- The internal clock will run even if there is no energy. This is taken care of by the internal back-up battery (3V lithium battery).
- The motor can also be fitted to an existing pole on the roof or to a wall holder with an as short as possible horizontal handle.

C) SAFETY PRECAUTIONS

Do not open or "repair" the SunTracer motor by yourself! Leave this task to the authorized service! Unprofessionally assembled motor can cause a **fall** of the solar cell, possibly together with the motor!

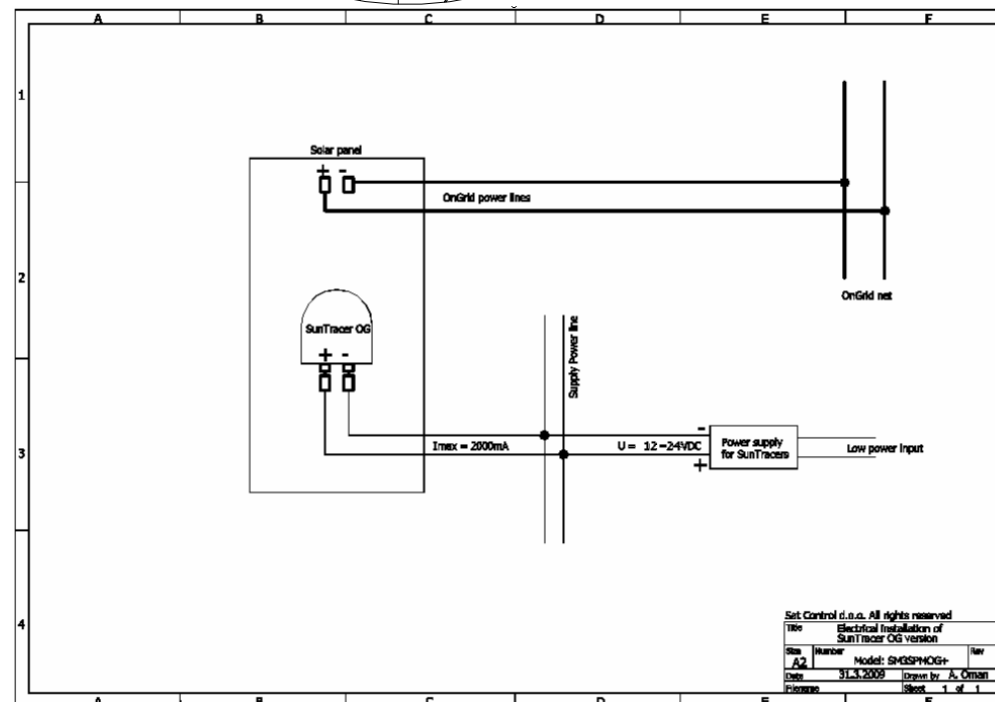
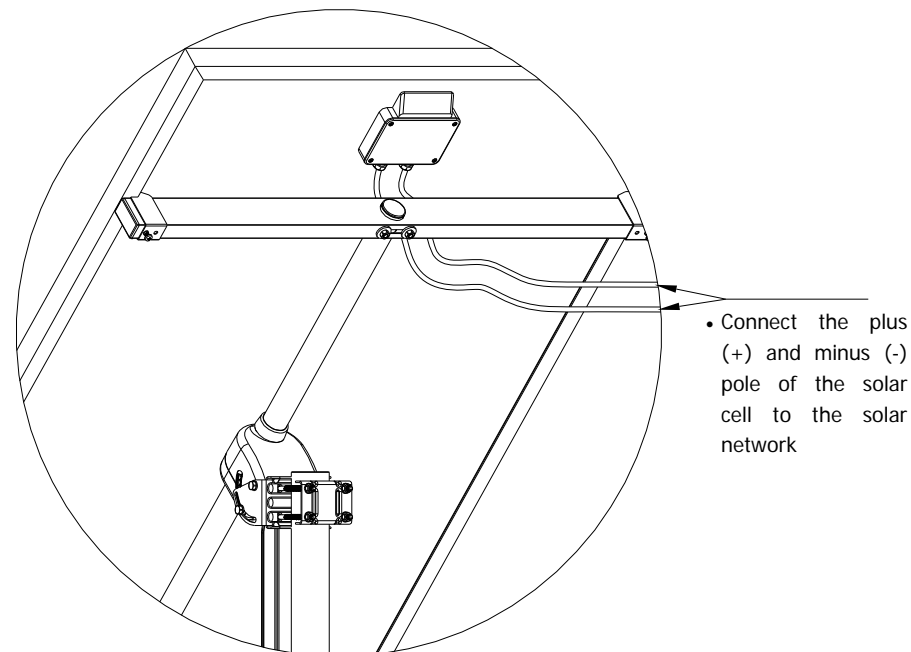
Since poor fixing of motor and/or poor construction of the solar cell fixing can cause the solar cell to slip from the motor shaft during use or, for example, the screws holding the pole to be pulled out, you have to pay particular attention to that during fitting. In addition to the appropriate tightening of the screws, such an installation place has to be chosen that no lives or things are threatened in case of loosening of the screws or unhinging of the solar cell!



D) GLOSSARY

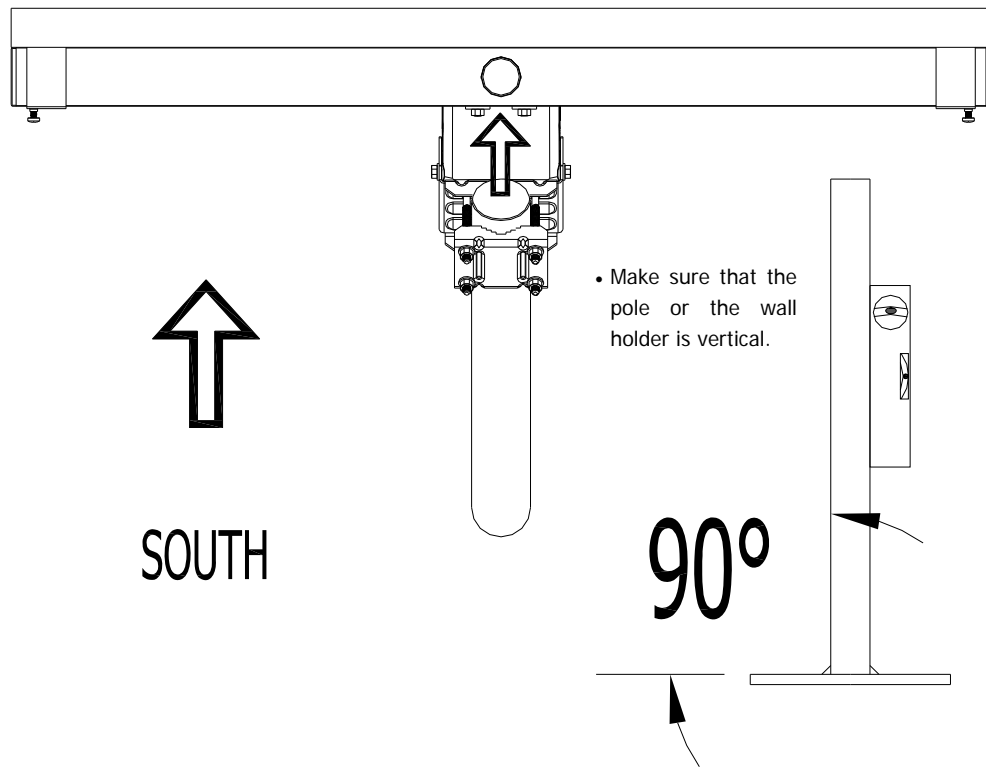
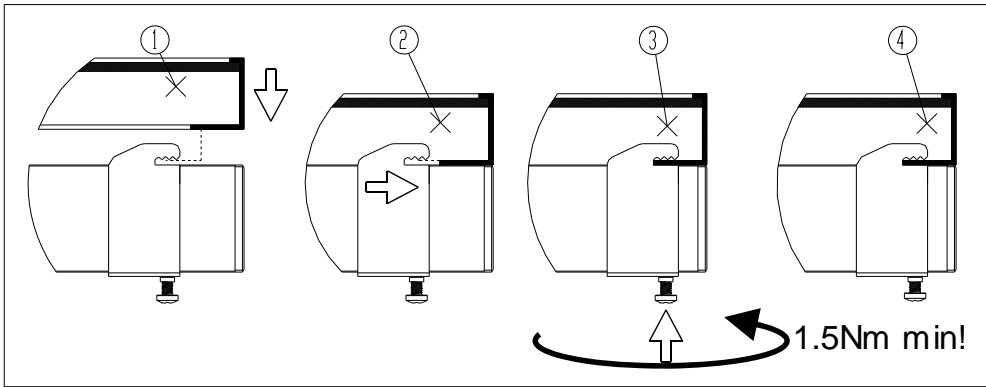
- **Elevation** – vertical angle under which you »see« the Sun from the Earth.
- **Azimuth** – angle to the East and West from the South.
- **Hour angle** – the angle between the direction of the sun and noon.
- **E and W** - abbreviations for East and West
- **Tracker shaft (pole)** – straight rotating metal axis to which you attach the arms for the solar cell.
- **Solar Cell** – a photovoltaic element that turns the light – sun energy into electrical energy. It must be installed in open space so that it is perpendicularly illuminated.
- **Geographical longitude** – on an as accurate as possible map of your country, region or town find a mark – the value of a vertical line closest to your town.
- **Geographical latitude** – on a map of your country, region or town find a mark – the value of a horizontal line closest to your place.
- **Polar-mount** – tracking type, where rotating shaft is parallel with Earth's axis.
- **UTC** – Coordinated Universal Time (UTC) is a time standard based on International Atomic Time. Different name is also Greenwich Mean Time - GMT.

L) SOLAR PANEL CONNECTION TO GRID INVERTER OR CHARGER



Sat Control s.r.o. All rights reserved
 Title Electrical installation of SunTracer OG version
 File number Model: SM3SPMOG+ File
 Date 31.3.2009 Drawn by A. Ormal
 Floorplan Sheet 1 of 1

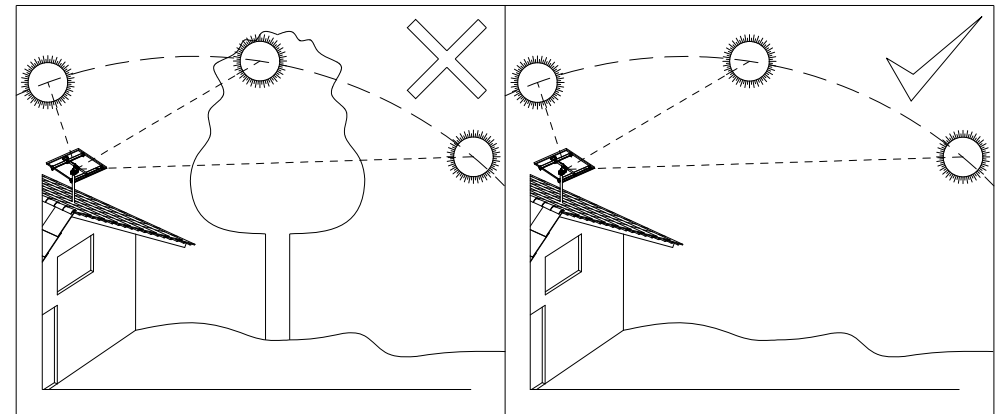
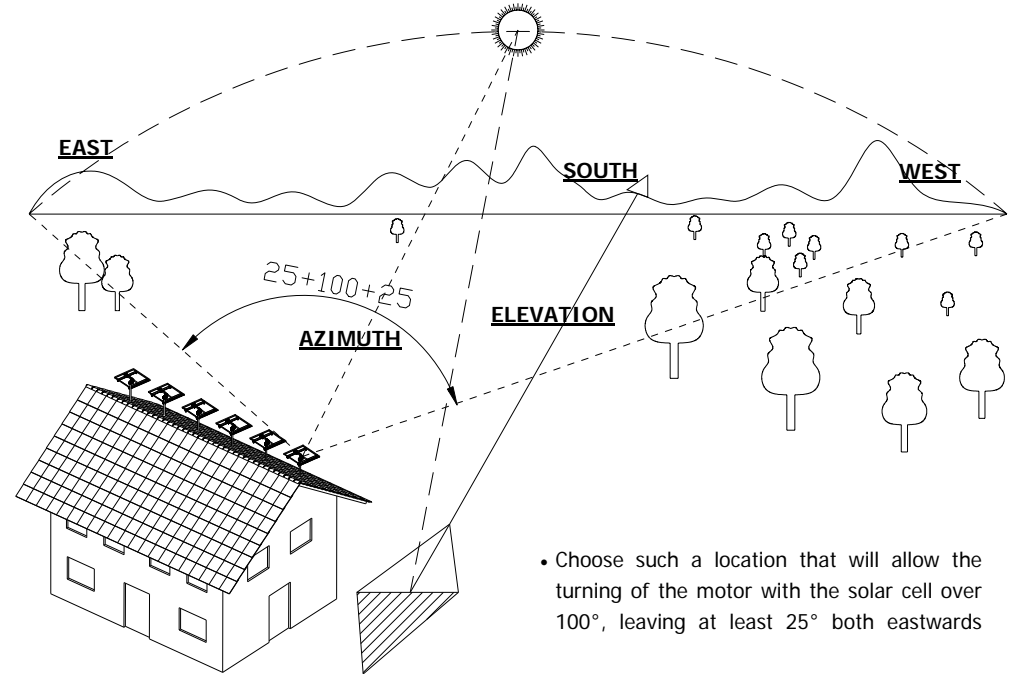
- Detail of solar cell fitting by scissor clamps onto holder arms.



- Normally tighten the screws on the motor clamp so that you do not bend the clamp and the screws do not loosen due to the force of wind on the solar cell.
- If you have followed the instructions correctly, the motor with the solar cell is standing on the pole facing South. Now you just need to carefully connect the cables to the solar cell and to the battery as described in the following step.

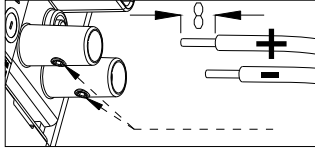
E) CHOICE OF THE INSTALLATION PLACE

- During the installation avoid as much as possible the possibility of the solar cell threatening or damaging people or things in case of possible fall (unhinging).
- The motor is watertight, so the solar cell can be installed on the roof or on the ground. Keep in mind that rain, hail and even more snow and wind make the turning of the solar cell more difficult. In addition, be careful about possible obstacles that could hinder the sight of the sun in the whole area of turning and/or ensure an installation place in which the solar cell will be illuminated by the sun from the sunrise to the sunset. In this way you will profit the most from the solar cell.



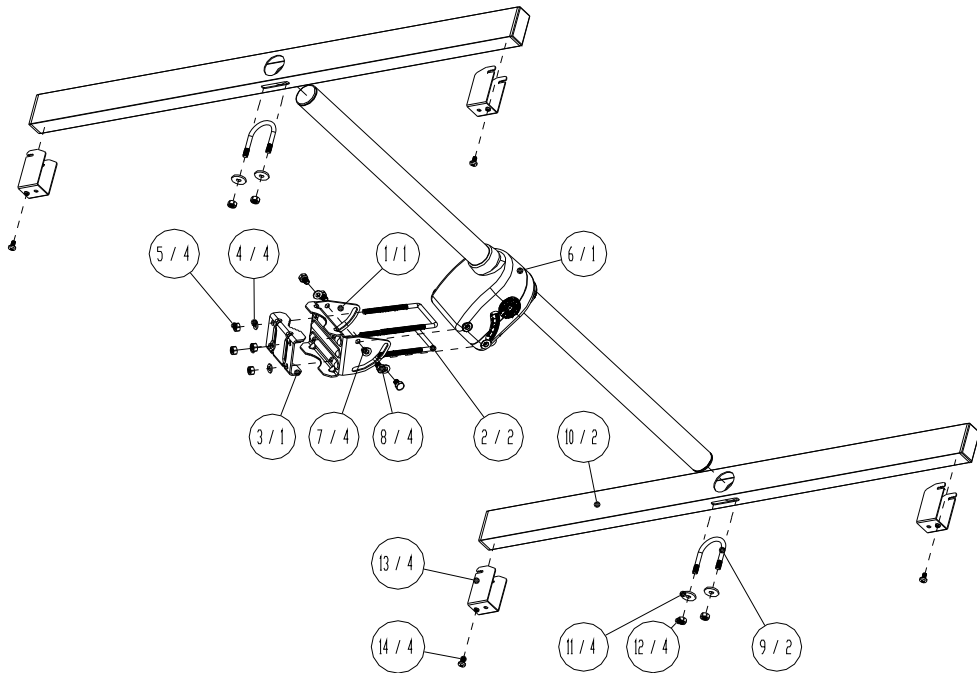
F) PREPARING CONNECTION CABLES

- In order to connect the SunTracer+ solar motor with the power-supply unit or the power distribution unit, you need a pair of solar cables with a cross-section of 1mm² or more, and appropriate length.
- 1. Strip the end of the cable, about 8 mm.
- 2. Insert the stripped cable into the contact opening until it stops, then tighten the socket-head screw on the connector. Pay attention to the polarity. Do not tighten the screw too much or else you can punch the conductor.



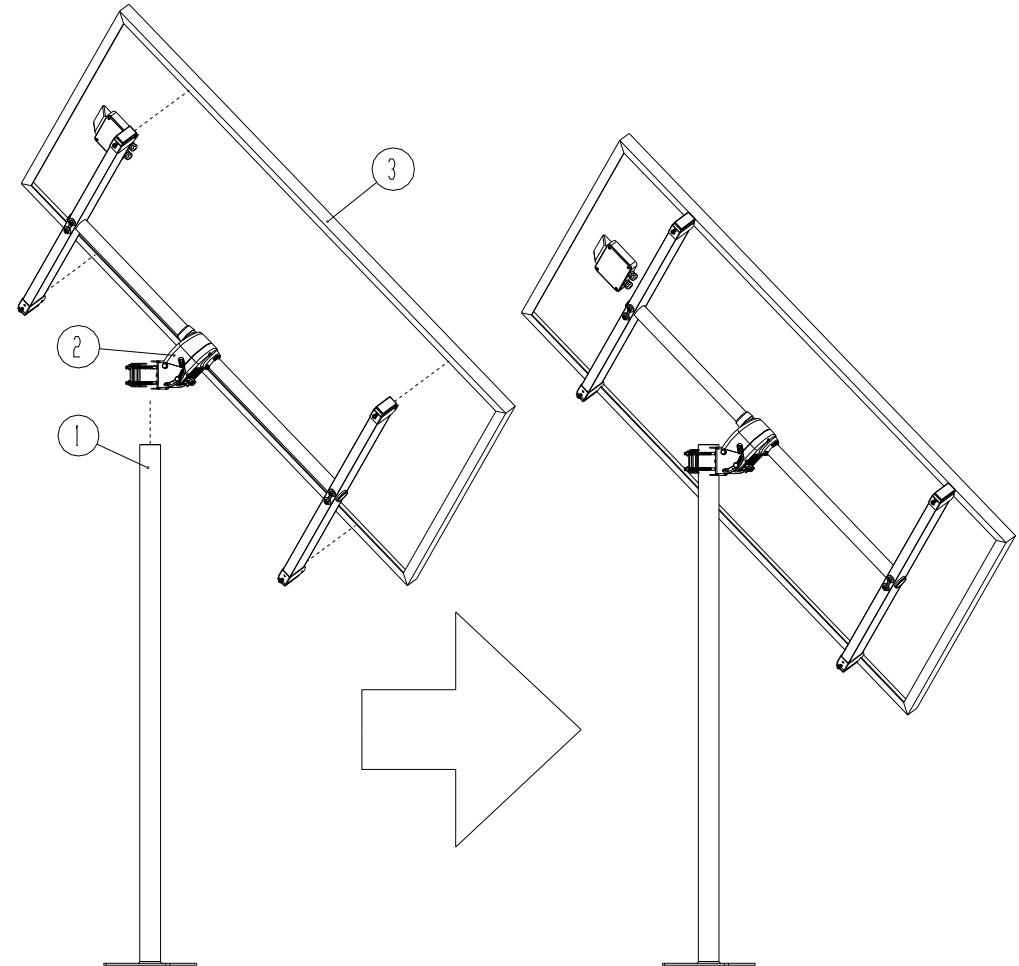
G) MOTOR ASSEMBLY

- Assemble the SunTracer OG+ solar motor according to the sequence shown in the following picture.
- The first number shows the sequence of assembling the parts, and the second one how many parts need to be assembled.



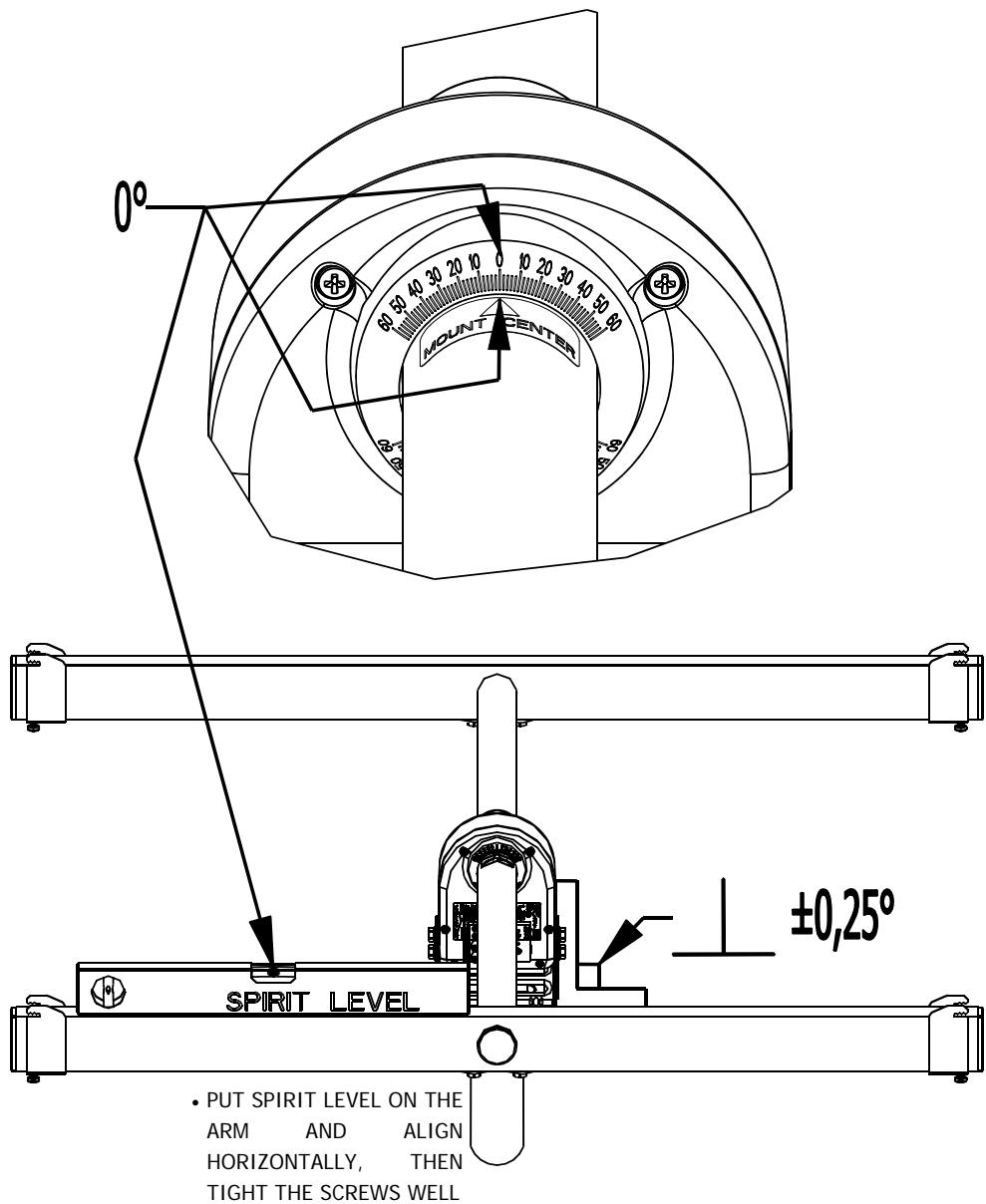
K) INSTALLATION OF THE MOTOR TO THE POLE AND SOLAR CELL TO THE MOTOR SHAFT, AND MOTOR ORIENTATION TO THE SOUTH

- Turn the assembled SunTracer+ solar motor to the South and install it onto a vertical pole. Then install the solar cell onto it in the way shown in the following figures.

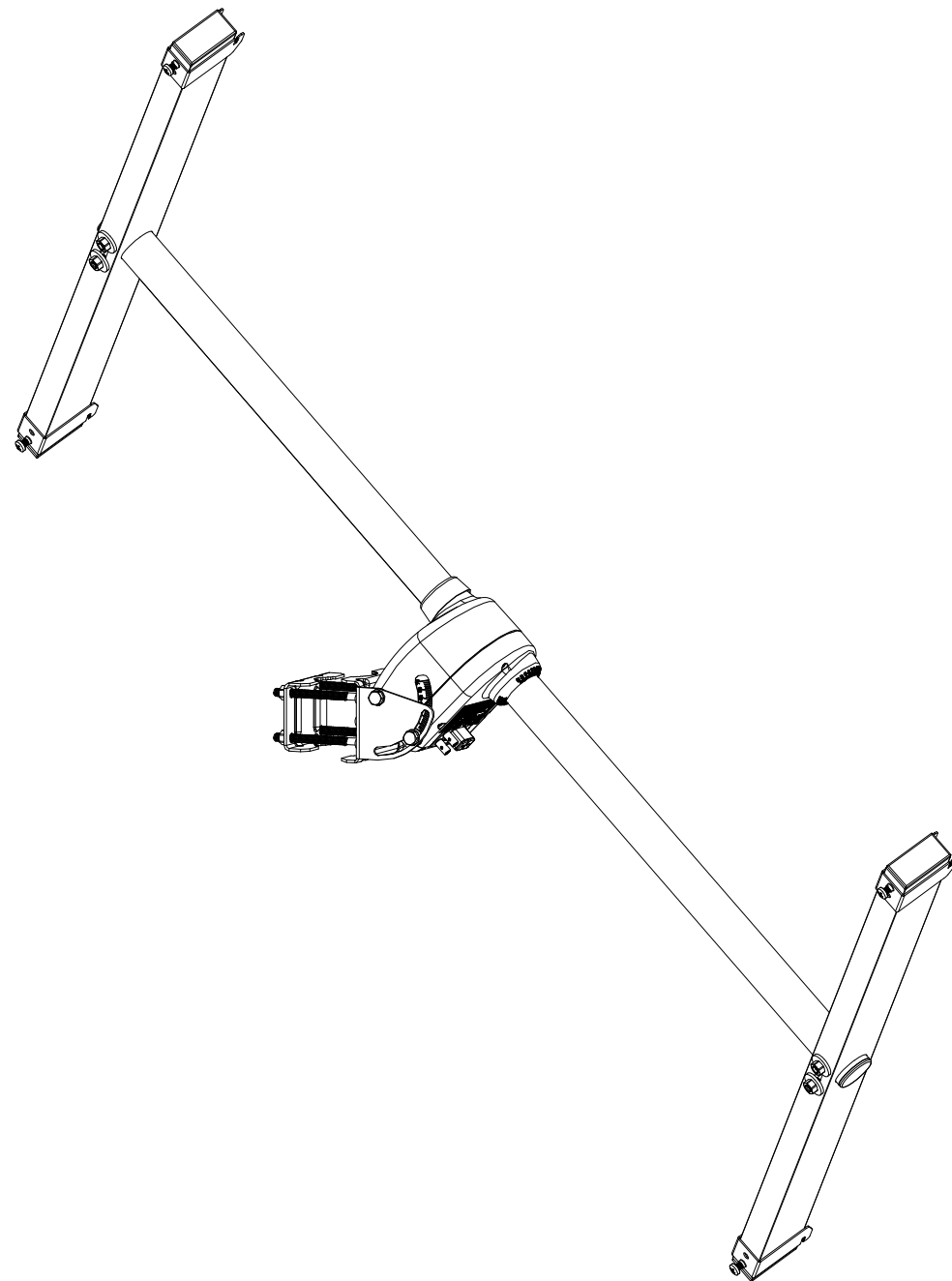


J) ARMS ALIGNMENT TO 0° TO GET SIMETRICAL RANGE OF TRACKING

- Before you put the solar panel on the solar tracker you need to make sure that arms are aligned to the arrow on the tracker shaft. Turn the tracker shaft by pressing corresponding E/W buttons on the front panel of the housing, to the position 0° and align the arms perpendicular to the vertical or put the spirit level on the arm and align it horizontally. After that you need to fasten the screws well.

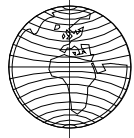
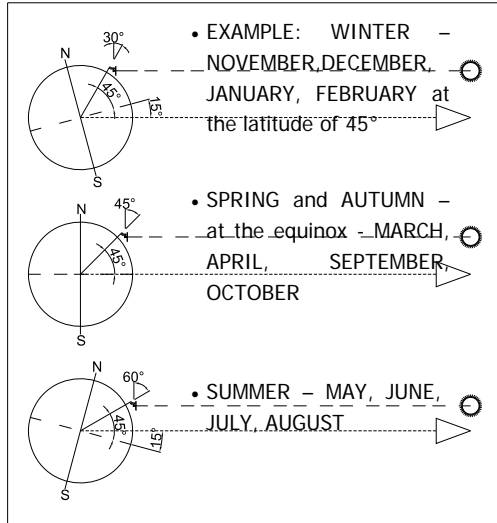


- - When assembled, this is the way it looks:



H) SETTING THE MOTOR CLAMP SCALE

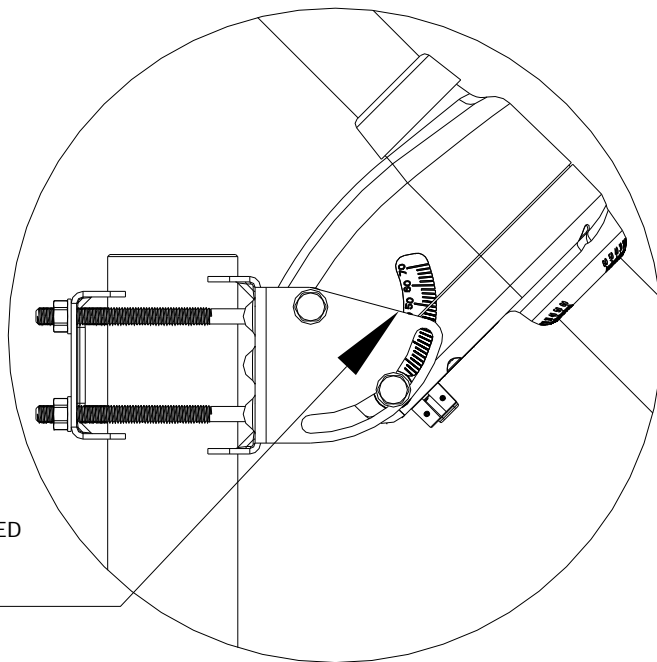
- Set the motor clamp to the angle that corresponds to your geographical latitude. The latitude in degrees is a direct setting on the motor clamp (X°). Example: for Paris with the latitude of 49° it is 49°.
- In the winter time (December), when the inclination of the Earth changes up to 23.5° to the North, the inclination or elevation of the motor can be reduced by up to 23.5°. In the summer time (June), when the inclination of the Earth changes up to 23.5° to the South, it can be increased by up to 23.5° from your latitude.
- Inclination or elevation of the motor has to be set so that the sun light always falls perpendicularly on the solar cell. It changes in different seasons. Thus, the motor elevation can be corrected several times a year.
- We recommend that in the winter time the motor elevation is set to the following value: your latitude - 15°, and in the summer time to your latitude + 15°. In between it should be set to the value of your latitude. See figure.
- The screws for the fixing of the clamp to the motor have to be screwed tightly, since there are standard metal nuts in the motor.



- G.L. and +15° or -15° according to the season

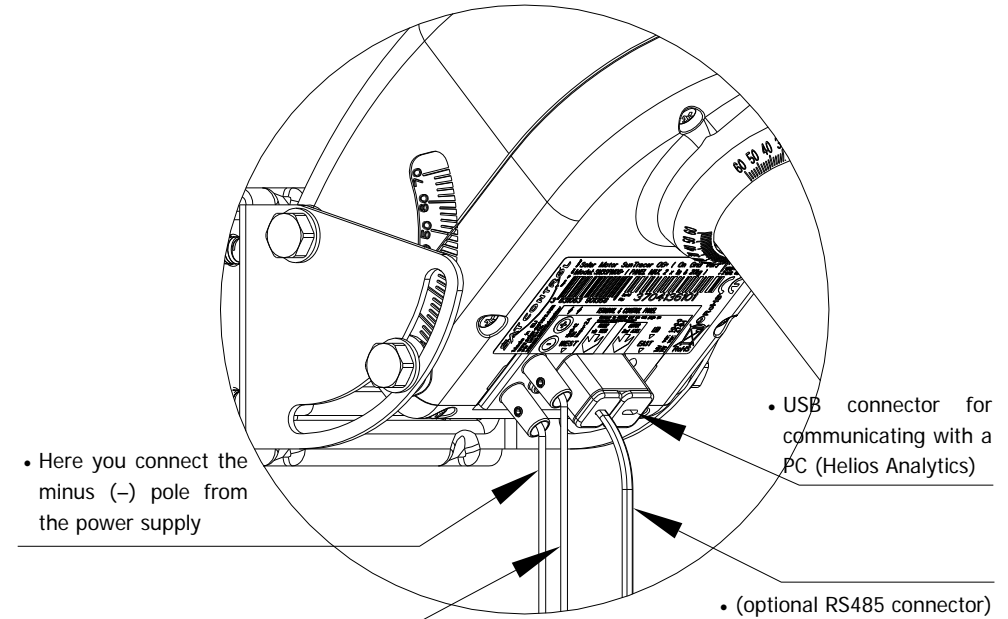


- SET TO THE CALCULATED ANGLE
- FOR EXAMPLE: 45°



I) CONNECTION WITH CABLES, AND ATTACHMENT

- Connect the cables as shown in the picture, and attach.



- Here you connect the plus (+) pole from the power supply

